

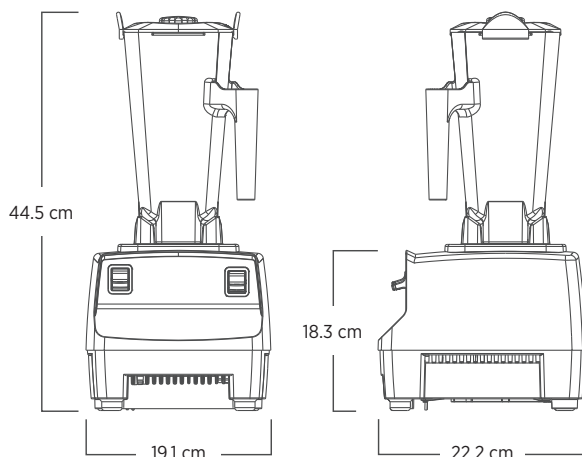


### *Durable and Efficient Blending*

The Drink Machine Two-Speed is a reliable blender for powerful, functional blending. With manually controlled High/Low speed capability, the Drink Machine Two-Speed will flawlessly create delicious frozen coffee drinks, fruit smoothies, granitas, shakes and more.

### *Smart Product Design*

- ≈2.3 HP motor is designed to resist overheating when blending dense ingredients
- Blades create enough torque to crush 1.4 liters of cubed ice in seconds
- Clear, durable 1.4-liter container pulls ingredients into the blades for efficiency and better speed of service
- Sturdy controls provide improved grip



Includes Drink Machine Two-Speed with 1.4-liter high-impact, clear/stackable standard container, complete with Wet blade assembly and lid, and black base.

For more complete warranty terms and conditions, please contact your authorized Vitamix distributor.

<b>Product Specifications</b>			
Motor	≈2.3 peak output horsepower motor		
Electrical	220-240 V, 50-60 Hz, 1000-1200 W	Taiwan: 110 V, 60 Hz, 1100 W	Japan: 100 V, 50-60 Hz, 900 W
Net Weight	4.94 kg (5.94 kg with box)		
Dimensions	44.5 x 19.1 x 22.2 cm (HxWxD)		

<b>Also Available</b>
2.0 L BPA-free, clear standard container complete with Wet blade assembly and lid
1.4 L BPA-free, clear/stackable standard container complete with Wet blade assembly and lid
0.9 L BPA-free, clear/stackable standard container complete with Wet blade assembly and lid

Not all products are offered in all countries. Products and item numbers may differ in your local market. Please contact your Vitamix Account Representative for product availability and item details.

**Contact Information**

**Commercial Sales**

+1 440.782.2450  
international@vitamix.com

**Technical Support**

+1 440.782.2450  
commercialts@vitamix.com



vitamix.com

For more information, please contact an authorized Vitamix distributor, or Vitamix international customer service.